

## NITROGEN GAS SPRING CONVERSION GUIDE

Special Springs nitrogen gas cylinders are interchangeable with competitive brands.

*The Dadco, Kaller and Hyson trademarks are owned by their respective owners and are used for reference purposes only.*

Engineered to comply with global industry specification standards, our gas cylinders exceed all industry standards for quality, making them:

- Safer to Use
- More Durable
- Longer Lasting

View the conversion chart or let the experts at Special Springs assist with your project requirements. We can cross-reference others' gas springs with our corresponding product line.

### CAN'T FIND IT ON THE CHART?

Call **734.892.2324** FOR ASSISTANCE OR TO PLACE YOUR ORDER TODAY



Exclusive Extended Warranty • Guaranteed Performance

Order by 3:00 pm (EST) and we'll offer:  
**SAME DAY SHIPPING**  
ON OVER 25,000 ITEMS  
(VALID ON IN-STOCK ITEMS ONLY)

DADCO Nitrogen Gas Cylinder Conversion <small>*Indicates there may be minor differences between products. Contact your Special Springs representative prior to ordering.</small>															
DADCO U	SPECIAL SPRINGS RV	DADCO UT	SPECIAL SPRINGS RT	DADCO C	SPECIAL SPRINGS M	DADCO SC *	SPECIAL SPRINGS KE	DADCO UX *	SPECIAL SPRINGS H	DADCO SCR *	SPECIAL SPRINGS ML	DADCO 90.10	SPECIAL SPRINGS SC	DADCO L	SPECIAL SPRINGS S
U.0175	RV170	UT.1000	RT1000	C.045	M50	SC.00420	KE400	UX.1000	H1000	SCR.0500	ML500	90.10.00170	SC150	L500	S500
U.0325	RV320	UT.2600	RT2400	C.070	M70	SC.00740	KE750	UX.2600	H2400	SCR.0800	ML1000	90.10.00500	SC500	L750	S750
U.0400	RV350	UT.4600	RT4200	C.090	M90	SC.01000	KE1000	UX.4600	H4200	SCR.1900	ML1800	90.10.00750	SC750		
U.0600	RV500	UT.6600	RT6600	C.180	M200	SC.01800	KE1800	UX.6600	H6600	SCR.3000	ML3000	90.10.01500	SC1500		
U.0800	RV750	UT.9600	RT9500	C.250	M300	SC.03500	KE3000	UX.9600	H9500			90.10.03000	SC3000		
U.1000	RV1000					SC.04700	KE4700	UX.20000	H18500			90.10.05000	SC5000		
U.1200	RV1200					SC.07500	KE7500					90.10.07500	SC7500		
U.1600	RV1500					SC.11800	KE12000					90.10.10000	SC10000		
U.2600	RV2400					SC.18300	KE18500								
U.4600	RV4200														
U.6600	RV6600														
U.9600	RV9500														
U.20000	RV20000														

KALLER Nitrogen Gas Cylinder Conversion <small>*Indicates there may be minor differences between products. Contact your Special Springs representative prior to ordering.</small>															
KALLER X	SPECIAL SPRINGS RV	KALLER XG	SPECIAL SPRINGS RT	KALLER R-M	SPECIAL SPRINGS M	KALLER CU 4 *	SPECIAL SPRINGS KE	KALLER TX	SPECIAL SPRINGS H	KALLER CX	SPECIAL SPRINGS ML	KALLER TU	SPECIAL SPRINGS SC	KALLER K	SPECIAL SPRINGS S
X 170	RV170	XG 350	RT350	R12	M50	CU4 420	KE400	TX 750	H750	CX 500	ML500	TU 250	SC250	K 500	S500
X 320	RV320	XG 500	RT500	R15	M70	CU4 740	KE750	TX 1000	H1000	CX 1000	ML1000	TU 500	SC500	K 750	S750
X 350	RV350	XG 750	RT750	R19	M90	CU4 1000	KE1000	TX 2400	H2400	CX 1900	ML1800	TU 750	SC750	K 1500	S1500
X 500	RV500	XG 1000	RT1000	M2	M200	CU4 1800	KE1800	TX 4200	H4200			TU 1500	SC1500		
X 750	RV750	XG 1500	RT1500	M3	M300	CU4 2900	KE3000	TX 6600	H6600			TU 3000	SC3000		
X 1000	RV1000	XG 2400	RT2400			CU4 4700	KE4700	TX 9500	H9500			TU 5000	SC5000		
X 1200	RV1200	XG 4200	RT4200			CU4 7500	KE7500					TU 7500	SC7500		
X 1500	RV1500	XG 6600	RT6600			CU4 11800	KE12000					TU10000	SC10000		
X 2400	RV2400					CU4 18300	KE18500								
X 4200	RV4200														
X 6600	RV6600														
X 9500	RV9500														
X 20000	RV20000														

HYSON Nitrogen Gas Cylinder Conversion <small>*Indicates there may be minor differences between products. Contact your Special Springs representative prior to ordering.</small>															
HYSON T3	SPECIAL SPRINGS RV	HYSON TNKT *	SPECIAL SPRINGS RT	HYSON T2	SPECIAL SPRINGS M	HYSON T4SC *	SPECIAL SPRINGS KE	HYSON T4	SPECIAL SPRINGS H	HYSON T5	SPECIAL SPRINGS ML	HYSON NP	SPECIAL SPRINGS SC	HYSON T2L	SPECIAL SPRINGS S
T3170	RV170	TNKT1000	RT1000	T2-50	M50	T4SC420	KE400	T4-1000	H1000	T5-500	ML500	NP500	SC500	T2L500	S500
T3320	RV320	TNKT2400	RT2400	T2-70	M70	T4SC740	KE750	T4-2400	H2400	T5-1000	ML1000	NP750	SC750	T2L750	S750
T3350	RV350	TNKT4200	RT4200	T2-90	M90	T4SC1000	KE1000	T4-4200	H4200	T5-1900	ML1800	NP1500	SC1500	T2L1500	S1500
T3500	RV500	TNKT6600	RT6600	T2-180	M200	T4SC1800	KE1800	T4-6600	H6600			NP3000	SC3000	T2L3000	S3000
T3750	RV750			T2-200	SC150	T4SC2900	KE3000					NP5000	SC5000		
T31000	RV1000					T4SC4700	KE4700					NP7500	SC7500		
T31200	RV1200					T4SC7500	KE7500					NP10000	SC10000		
T31500	RV1500					T4SC11800	KE12000								
T32400	RV2400					T4SC18300	KE18500								
T34200	RV4200														
T36600	RV6600														
T39500	RV9500														
T320000	RV20000														

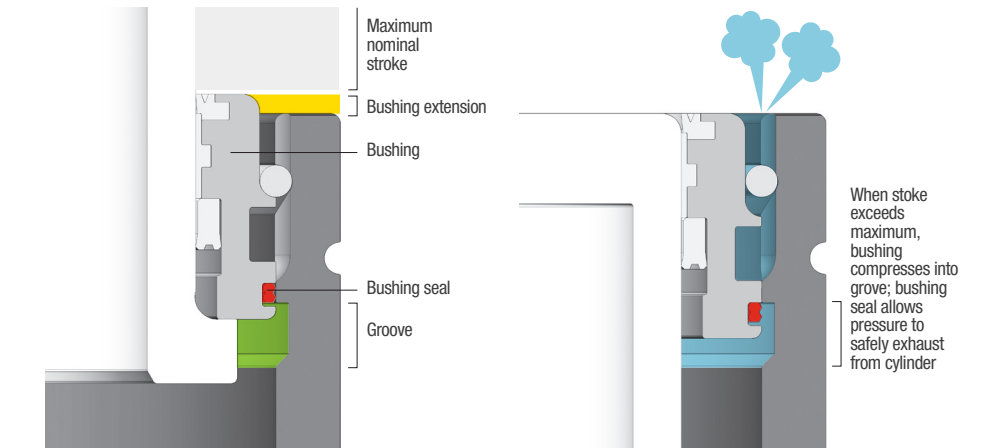
Special Springs' innovative built-in safety features provide superior protection for the operator and prevent costly damage to your tools and dies.

## SAFETY YOU CAN TRUST



### OSAS Over Stroke Active Safety

- Exhausts pressure in a controlled and complete manner when the cylinder has been over-stroked.
- Reduces the risk of tool damage or injury due to ejection of parts under pressure.
- Self activates automatically regardless of users' intervention.
- Does not increase the cost of the cylinders.

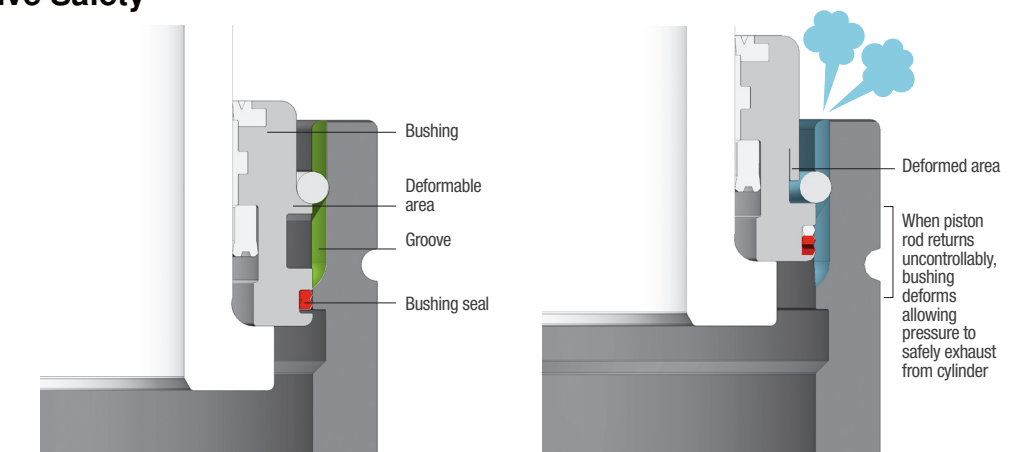


AVAILABLE ON BUSH DESIGN, BOTTOM PLATE (ML SERIES), AND PISTON DESIGN (KE SERIES) NITROGEN GAS SPRINGS



### USAS Uncontrolled Speed Active Safety

- Exhausts pressure in a controlled and complete manner when the cylinder has been stressed by uncontrolled return of the piston rod, typically caused by die plate jams.
- Reduces the risk of tool damage or injury due to ejection of parts under pressure.
- Self activates automatically regardless of users' intervention.
- Does not increase the cost of the cylinders.

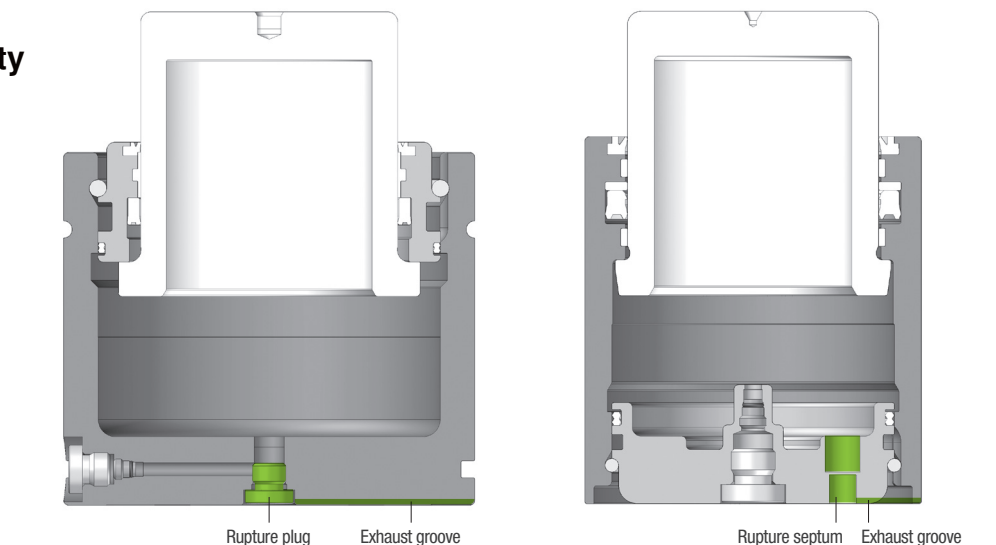


AVAILABLE ON BUSH DESIGN, BOTTOM PLATE (ML SERIES), AND PISTON DESIGN (KE SERIES) NITROGEN GAS SPRINGS



### OPAS Over Pressure Active Safety

- Plug/septum is designed to rupture when maximum pressure is exceeded, typically due to fluid contamination. Exhaust groove allows pressure to be released in a controlled and complete manner.
- Reduces the risk of tool damage or injury due to ejection of parts under pressure.
- Self activates automatically regardless of users' intervention.
- Does not increase the cost of the cylinders.



AVAILABLE IN TWO BOTTOM-MOUNT CONFIGURATIONS BASED ON CYLINDER DESIGN