



# EASY MANIFOLD SYSTEMS

## CONTROL THE PRESSURE WITHOUT THE HASSLE!



### ADVANTAGES OF THE EASY PLATE SYSTEM

- Reduction of leak points
- Thin plate (approx. 1 inch thick)
- Monitor pressure of all cylinders on the plate

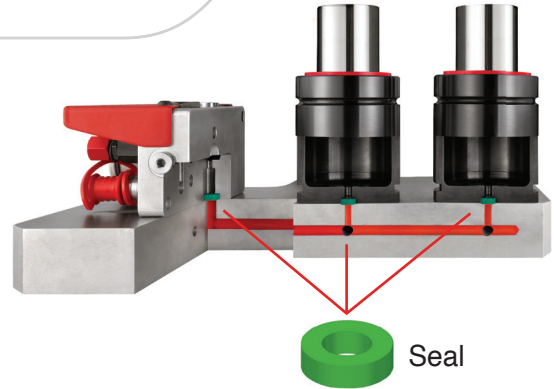
### SPECIAL SPRINGS EASY PLATE SYSTEM

- **2-Year Warranty** on all new Easy Manifold Systems
- **Extended 4-Year Warranty** on manifold systems using SKUDO or Secondary Wiper Cylinders

### LINKED SYSTEMS:

Connect standard cylinder sizes and models through the use of hoses and fittings. Allows for constant pressure throughout the system. Add a surge tank to prevent pressure rise.

- Multiple places for leaks
- Help monitor pressure within the system



### EASY MANIFOLDS:

- Directly interchangeable with other designed plate systems.
- Maximum design flexibility using standard cylinder sizes and a thin drilled plate.
- Eliminates unnecessary leak points by eliminating the use of hoses and fittings. The reduced overall weight of the system and use of standard cylinder sizes allows for easy maintenance.

